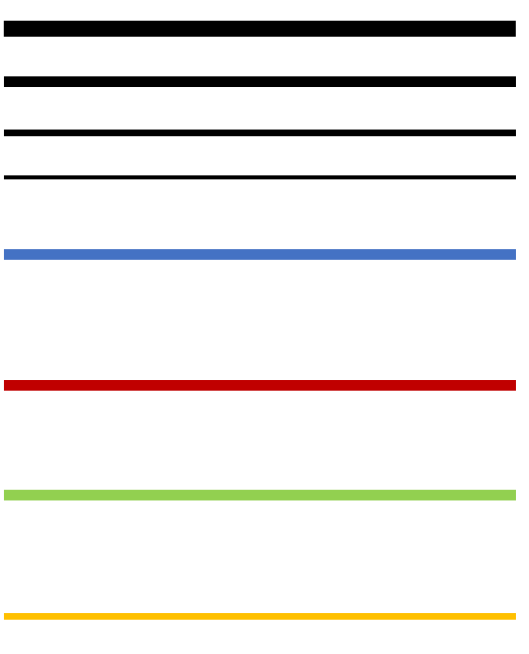
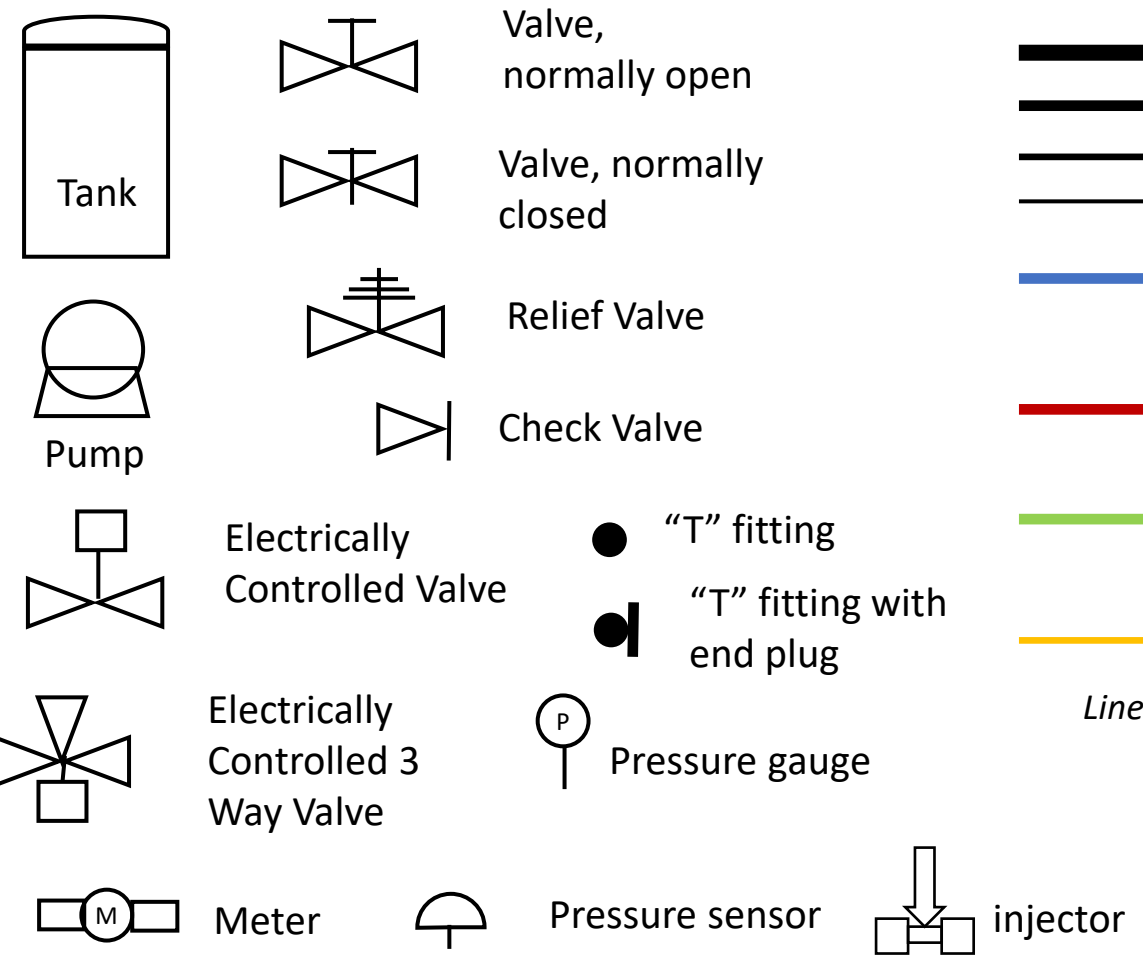
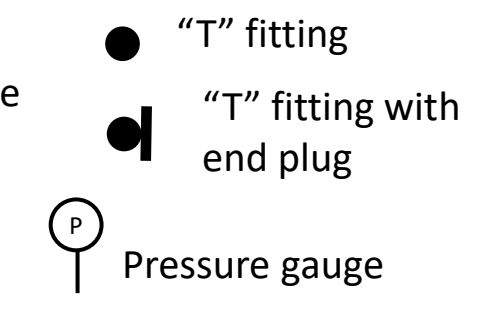


**Notes**

1. This is the line from the pump/purifier system to the reservoir. It is not shown on the system drawing dated 2/18/1997. However, it can be seen by visually inspecting the reservoir. It is on the outside wall and empties into the reservoir at the top. Note the reservoir is not pressurized. A float switch controls the pumping of water into the reservoir. As currently configured, the purification subsystem (items 1 thru 74) operates independently of the distribution subsystem (items 80 & higher).



*Line thickness is indicative of pipe size*

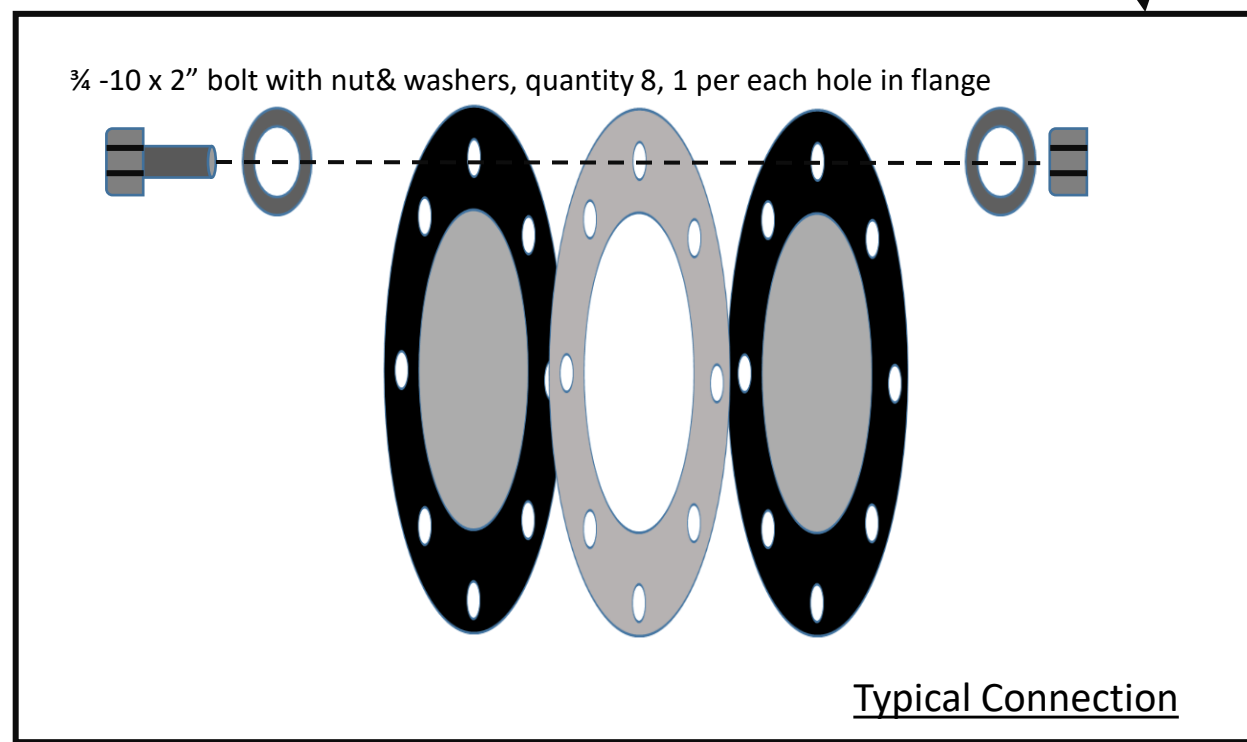
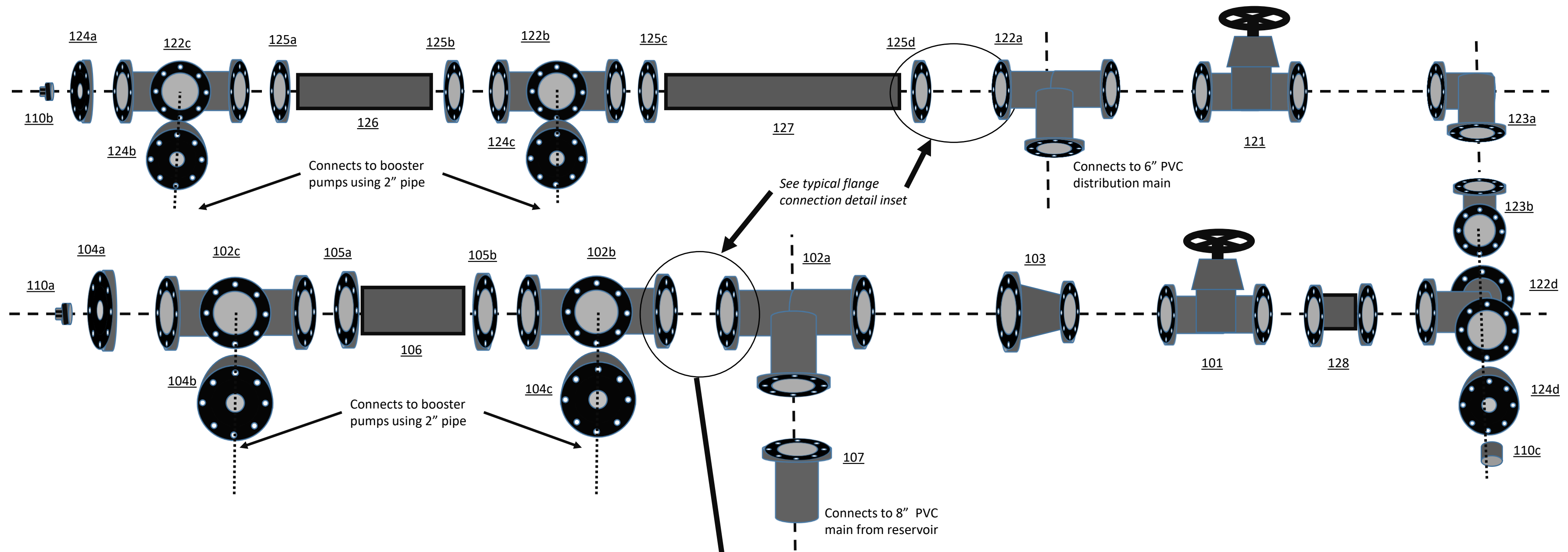


**LEGEND**

Rev A 1/4/2020

**PLWA Pump House Equipment Diagram**

# 6" & 8" Iron Pipe Assembly Details. (Items 100 & 120)



## Item Identification

Item #	Description	Notes	Material	Size
<b>100</b>	<b>8" distribution assembly</b>			
101	gate valve	Normally closed. When open (with 121) connects 6" main with 8" main bypassing booster pumps. Allows gravity feed of water from reservoir.	steel	6"
102 a,b,c	8" Flanged T fittings		steel	8"
103	8" to 6" flanged reducer		steel	8"
104 a,b,c	8" to 2" reducing flange	used for coupling smaller diameter pipe	steel	8"
105 a,b	coupling flange	Connects same hole diameter pipe or fittings	steel	8"
106	~10" length of connecting pipe		steel	8"
107	Coupler, flanged cast iron pipe to PVC pipe	Connects to reservoir main	steel	8"
108	reserved			
109	Gasket			8"
110 a,b,c	threaded plug	seals of end of assembly	galvanized steel	2"
111-119	reserved			

Item #	Description	Notes	Material	Size
<b>120</b>	<b>6" distribution assembly</b>			
121	gate valve	Normally closed. When open (with 101) connects 6" main with 8" main bypassing booster pumps. Allows gravity feed of water from reservoir.	steel	6"
122 a,b,c,d	6" Flanged T fittings		steel	6"
123 a,b	90 degree elbow with flanges		steel	6"
124 a,b,c,d	6" to 2" reducing flange	used for coupling smaller diameter pipe	steel	6"
125 a,b,c,d,e,f	coupling flange	Connects same hole diameter pipe or fittings	steel	6"
126	~8" length of connecting pipe		steel	6"
127	~18" length of connecting pipe		steel	6"
128	Check Valve	Corrected 6/27/2028	steel	6"
129	Gasket			6"
130	bolts	used to connect flanges, 8 per connection	steel	3/4 - 10 x 2"
131	hex nuts	used to connect flanges, 8 per connection	steel	3/4 "
132	washer and or lock washer	Not clear if these are used on all connection	steel	3/4 "
133	Threaded rods or studs	used to hold together spacer assembly, 8 needed	steel	3/4 - 10 x 6"
134-139	reserved			